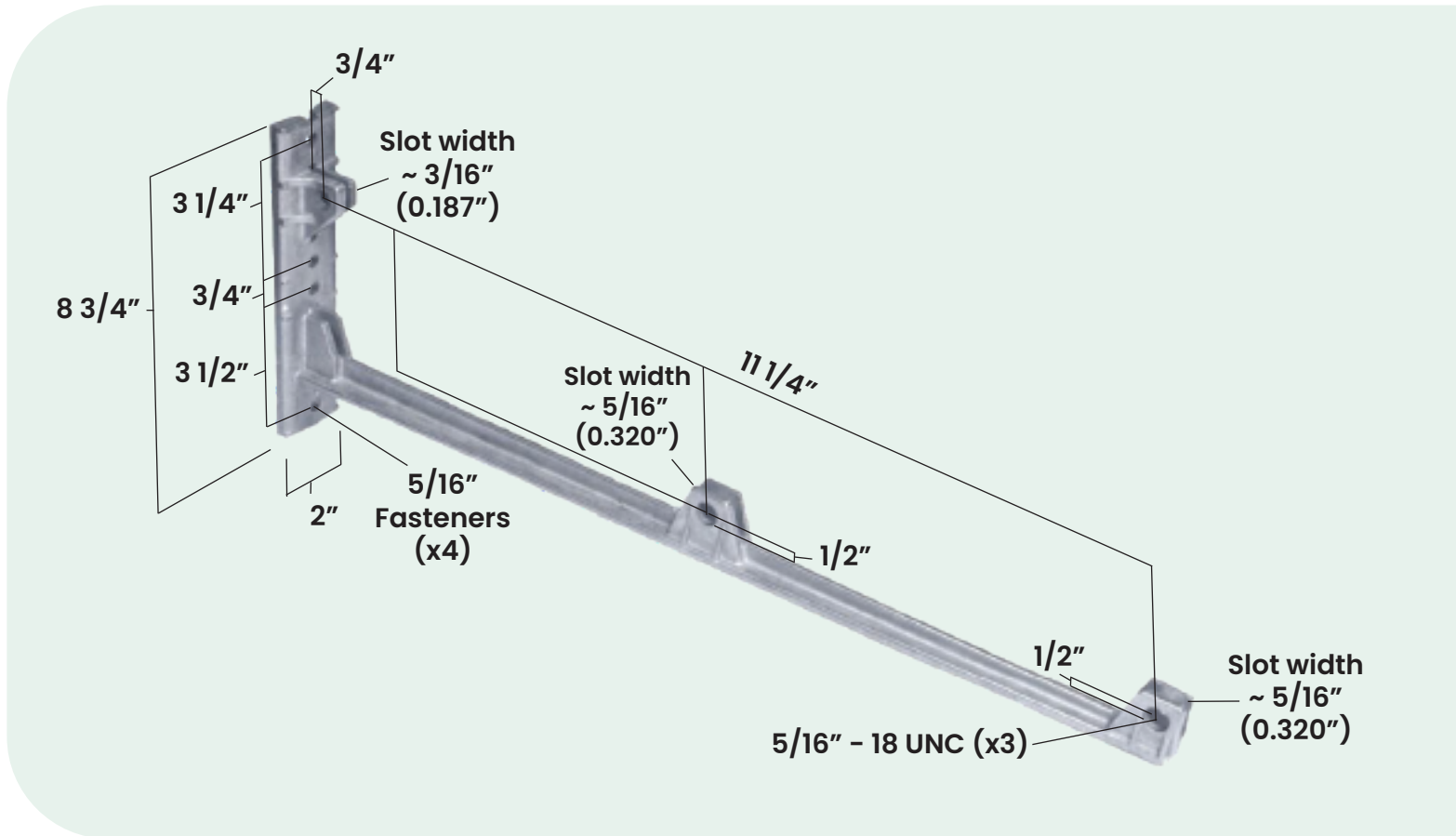


24" Wing Mount Bracket #4649

Mounts to 2 3/8" and larger round posts, 2" and larger square posts, and lamp standards



PRODUCT SPECIFICATIONS

- Die cast aluminum, will not rust
- 100% Recyclable
- Vibratory polished to a low sheen
- Strap or bolt to post, set screw or bolt through sign mounting
- 24" long arm offers better support for larger signs

TESTING SPECIFICATIONS

- Sign mounting fasteners tested at 50 in-lbs torque
- Tested with grade 2 fasteners